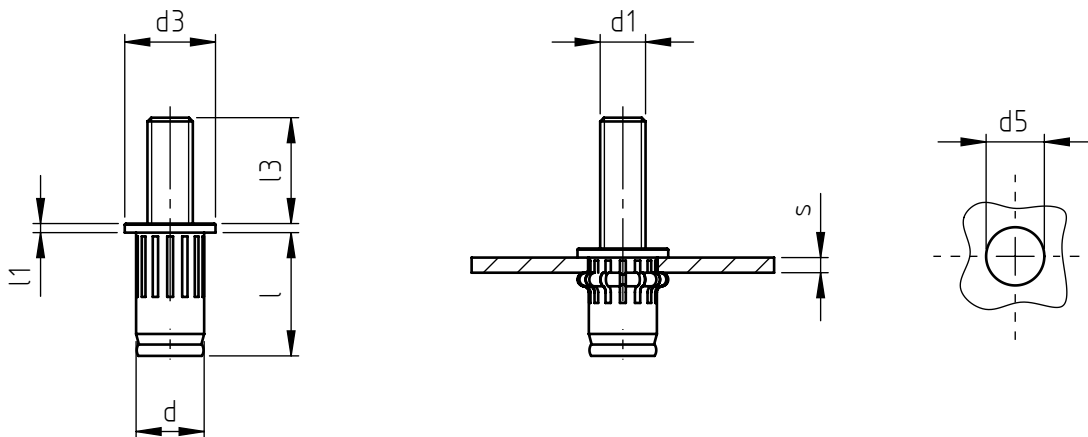


Application: On boxed or tubular parts, on sheet metal and non-metal sheets.

Assembly: with special hand or pneumatic tools.



code	s grip	l	d1 6g	l3	d	d3	l1	d5
TCPZ-M M5X15	0,5-3	11	M5	14,5	7,0	10	1	7,1
TCPZ-M M6X15	0,5-3	13	M6	14,5	9,0	13	1,5	9,1
TCPZ-M M6X20				19,5				
TCPZ-M M6X25				24,5				
TCPZ-M M8X20	0,5-3	14	M8	19,5	11,0	16	1,5	11,1
TCPZ-M M8X25				24,5				

Non binding dimensions, expressed in mm.

* Dimension determined from the average of the grip "s" min and max values.



Standard



On demand



Not manufactured

Material : screw: steel
rivet: cold formed steel
Finishing : white zinc-plated
Thread : ISO 6 g metric

