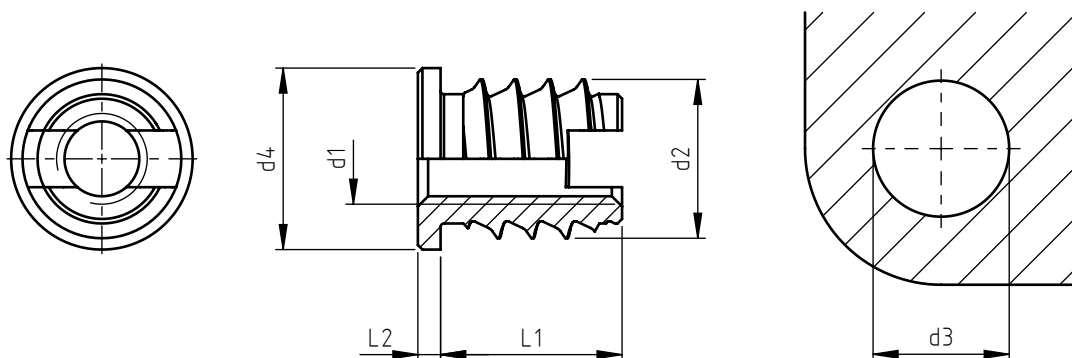


Application: on glass-fiber reinforced thermoplastic materials.  
 Assembly: by specific tools.



code	metrical thread d1	anchorage dimension L1	outer diameter d2	head thickness L2	head diameter d4	hole diameter d3*
IA12 1 040.80	M 4	8	7	1	8	5,8 ÷ 6,4
IA12 1 050.80	M 5	10	8	1,2	9,5	6,8 ÷ 7,4
IA12 1 060.80	M 6	14	10	1,5	12	8,3 ÷ 9,0
IA12 1 080.80	M 8	15	12	1,5	14	10,3 ÷ 11,0

Non binding dimensions, expressed in mm.

\* The diameter of the hole varies according to the receiving material.

To correctly use the product, it is advisable to carry out assembly tests to determine the exact drilling diameter.

Standard
  On demand
  Not manufactured

Material: brass.

Tolerance: ISO 2768-m.

d1 thread: metrical ISO 6H.

