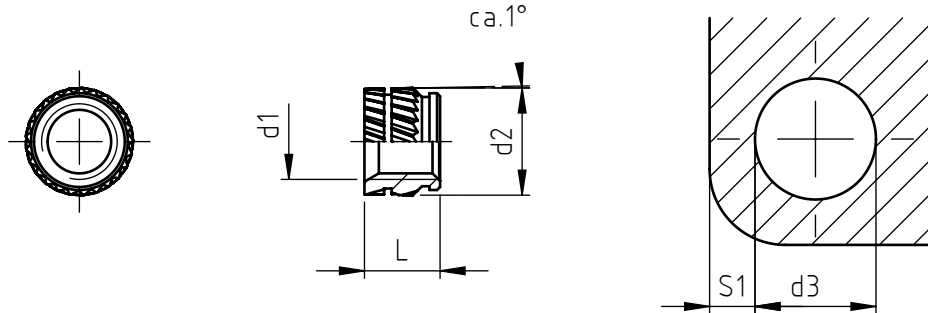


Applications: on thermoplastic and no-thermoplastic materials
Assembly: by pressure, ultrasonic, hear.



codce	metric thread	external diameter	total length	hole diameter	minimum wall thickness
	d1	d2	L	d3	S1
851 0030.80	M 3	4,6	3,0	4,0	2,3
851 0040.80	M 4	6,3	4,0	5,6	2,5
851 0050.80	M 5	7,1	5,0	6,4	2,7
851 0060.80	M 6	8,7	6,0	8,0	3,0

Non binding dimensions, expressed in mm.

For a correct usage of the product it is advisable to carry out some preliminary assembling tests to determine the correct hole diameter.

 Standard  On demand

Material: brass
Finishing: natural
Tolerances: ISO 2768 - m
Threading: ISO 6 H

