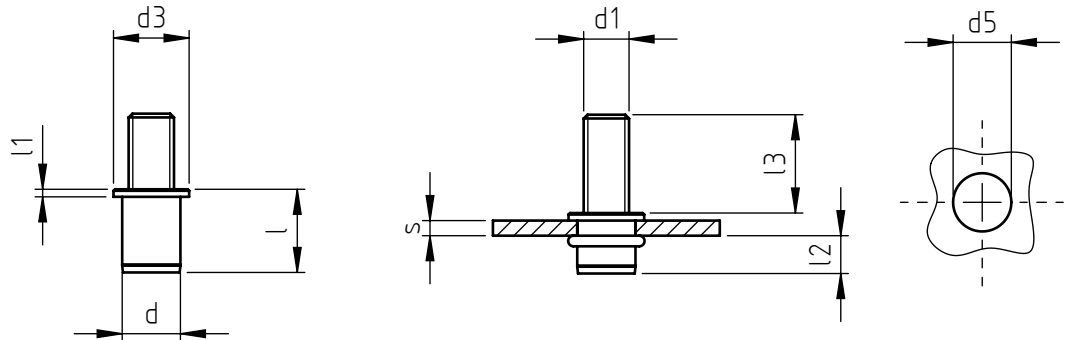


Application: metal and not metal sheets.
Assembly: with special hand or pneumatic tools.



code	s grip	l	d1 6g	l3 ≥	d	d3	l1	d5 +0,05 +0,15	l2 *
TCP-M M5X15	0,5-3,0	12,0	M5	15	6,9	10	1	7	8,1
TCP-M M5X25				25					
TCP-M M6X15	0,5-3,0	14,5	M6	15	8,9	13	1,5	9	9,1
TCP-M M6X25				25					
TCP-M M8X20	0,5-3,0	15,5	M8	20	10,9	16	1,5	11	9,6
TCP-M M8X25				25					

Non binding dimensions, expressed in mm.

* Dimension determined from the average of the grip "s" min and max values.



Standard

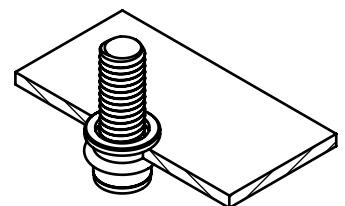


On demand



Not manufactured

Material: screw: steel 8.8 class
rivet: cold formed steel
Finishing: zinc-plated
Thread: ISO 6 g metric
Example: M 6 threaded stud rivet,
15 mm long (l3) after deformation,
applied on a sheet with 2,0 mm thickness,
9 mm (d5) diameter hole :



TCP-M M6X15