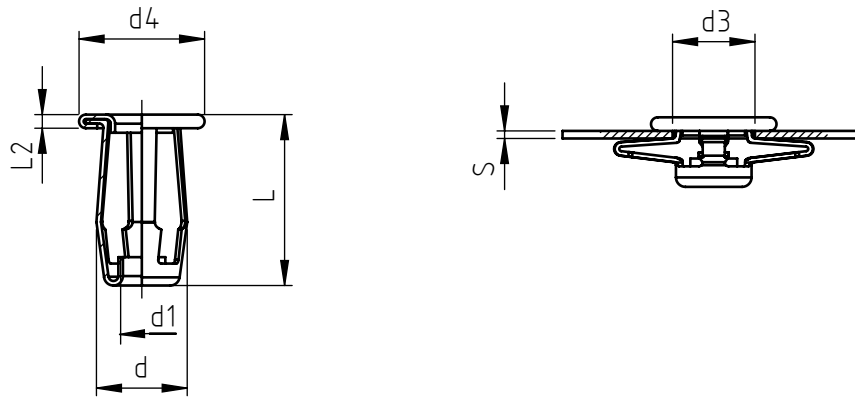


Application: plastic sheets, fragile materials and other materials.
 Assembly: by specific manual or pneumatic tools.



code steel	code stainless steel	grip S	metric thread d1	total length L	shank diameter d	max head diameter d4	head thickness L2	hole diameter d3
TC-F M 4	--	0,4 ÷ 4,8	M 4	16,8	8,2	12,3	1,6	8,3
TC-F/L M 4	--	4,8 ÷ 9,5		22,0				
TC-F M 5	TCX-F M 5	0,4 ÷ 4,8	M 5	18,4	10,1	14,5	1,6	10,3
TC-F/L M 5	--	4,8 ÷ 9,5		23,2				
TC-F M 6	--	0,4 ÷ 4,8	M 6	18,4	12	16,5	1,6	12,3
TC-F/L M 6	TCX-F/L M 6	4,8 ÷ 9,5		23,0				
TC-F M 8	--	0,4 ÷ 4,8	M 8	21,0	15,2	18,5	2	15,5
TC-F/L M 8	--	4,8 ÷ 8,0		25,0				
--	TCX-F/L M 8	5,0 ÷ 12,0		25,5				

Non binding dimensions, expressed in mm.

Standard
 On demand
 Not manufactured

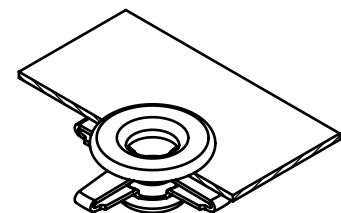
Material: steel TC-F__
 stainless steel TCX-F__

Finishing: steel bushing: white zinc-plated
 stainless steel bushing: natural

Thread: metric

Example: threaded flower steel insert, grip 2,0 mm,
 M 5 thread:

TC-F M 5



SPECIALINSERT® COMMITS ITSELF TO CONTINUOUSLY IMPROVE ITS PRODUCTS. IT RESERVES THE RIGHT TO CHANGE THEIR TECHNICAL AND STRUCTURAL CHARACTERISTICS WITHOUT PRIOR NOTICE. ALL RIGHTS ARE RESERVED AND THE DUPLICATION, EVEN PARTIAL, OF THESE DOCUMENTS, AS WELL AS ITS DISTRIBUTION TO THIRD PARTIES, ARE FORBIDDEN, UNLESS OTHERWISE AND EXPRESSLY AUTHORIZED BY SPECIALINSERT.